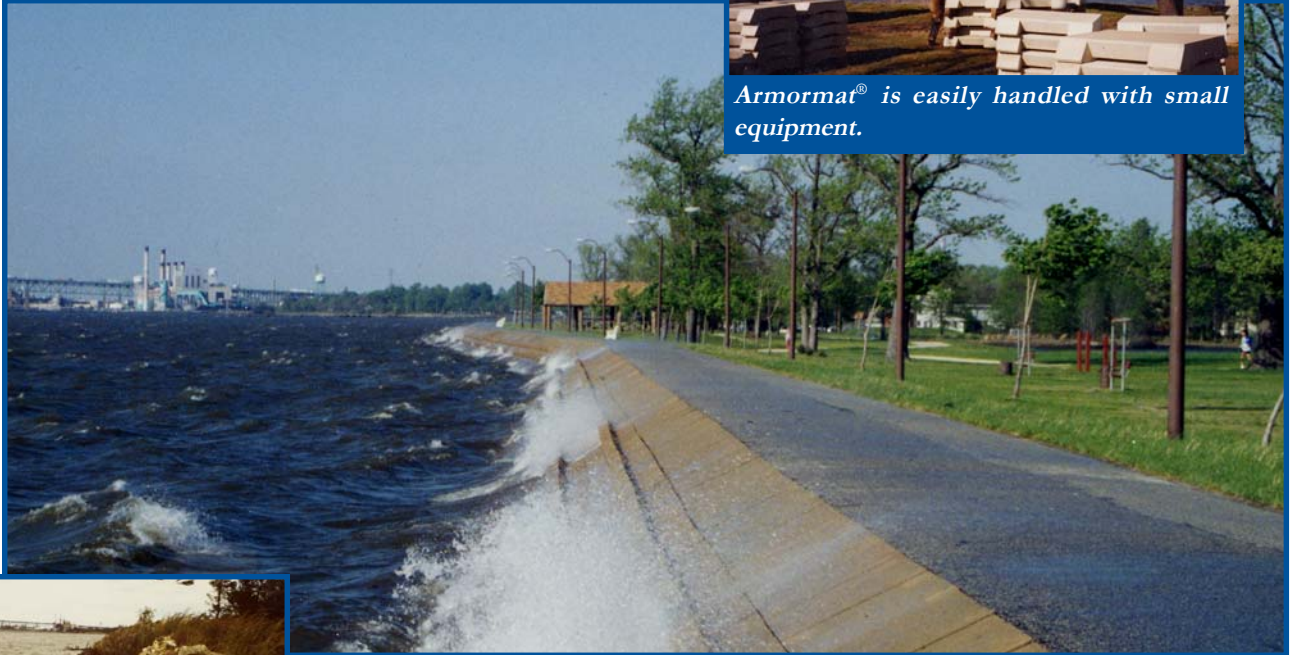


ARMORMAT® EROSION CONTROL



Armormat® is easily handled with small equipment.



After Armormat®



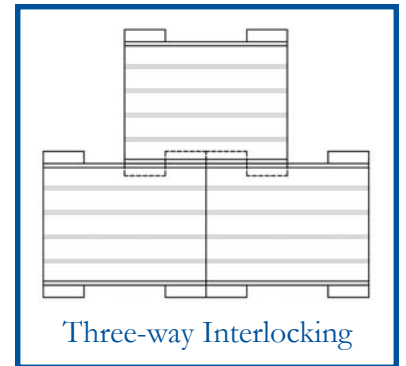
Before Armormat®

PRODUCT DESCRIPTION

Armormat® is a uniquely designed interlocking modular concrete revetment system that outperforms riprap or any other manufactured unit. Unlike riprap, Armormat® offers an attractive appearance that minimizes debris build-up. Manufactured using our wet-cast method under strict quality control guidelines, Armormat® offers an environmentally friendly surface for activities such as fishing and walking. Armormat® is ideally suited for boat ramps, coastal revetments and channel linings. Armormat® allows for a variety of surface textures, depending on the application. Whether you need to protect shorelines from erosion or provide a stable boat launch surface, Armormat® is the economical and aesthetically pleasing precast concrete solution.

PRODUCT FEATURES

- Available in a variety of surface finishes
- Modular size is 3'-0" x 4'-0" (1,250 lbs)
- No steel reinforcement to eliminate corrosion
- Offered in full and half units
- Durable 4,000 psi air-entrained concrete
- Interlocking design for stability
- Energy dissipating baffle available



NOTABLE ARMORMAT PROJECTS

- Port Jefferson Boat Ramp, Brookhaven, NY (+/- 9,000 sf)*
- Mill Dam Marina Ramp, Huntington, NY (+/- 6,000 sf)*
- Erosion Control, Florence, NJ (+/- 36,000 sf)*
- Boat Ramp, Richfield Springs, NY (+/- 2,000 sf)*

**THE
FORT MILLER
CO., INC.**

A FORT MILLER GROUP COMPANY

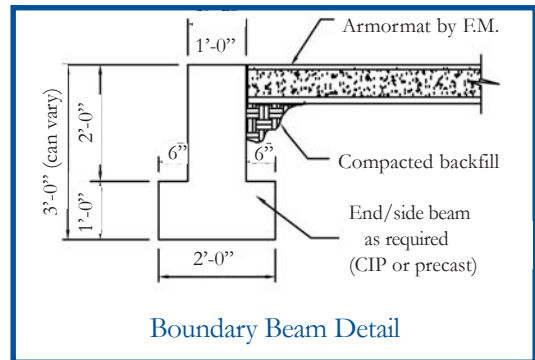
P.O. Box 98
Schuylerville, NY 12871
Tel (518) 695-5000
FAX (518) 695-4970

E-mail
info@fortmiller.com

Web
www.fortmiller.com



YOUR IMAGINATION IS OUR ONLY LIMITATION



Installing Armormat. The concrete pieces interlock to form a neat, environmentally friendly method of controlling channel erosion.

With Armormat®, vehicles can pull right up to the waterline for easy docking.



THE FORT MILLER CO., INC.

A FORT MILLER GROUP COMPANY

P.O. Box 98
Schuylerville, NY 12871
Tel (518) 695-5000
FAX (518) 695-4970

E-mail
info@fortmiller.com

Web
www.fortmiller.com



The shores at Burlington, New Jersey have been enhanced with the installation of Armormat® and the erosion of valuable real estate has been effectively controlled.

