

STA-POD™ SLOPE STABILIZATION UNITS



Sta-Pod™ Concrete Armor System for energy dissipation and toe line stability at Jamesville Dam rehabilitation Project.



PRODUCT DESCRIPTION

Sta-Pod™ is a highly effective and proven method of protecting riverbanks, coastlines, dams, inland lakes, toe of slopes, piers, and bridge abutments from scour. Because of its unique shape and interlocking design it can provide a long lasting, stable toe for any slope. Sta-Pods have been extensively tested at the U.S. Army Corps of Engineers Waterways Experiment Station at Vicksburg, Mississippi. Sta-Pods have been subject to heavy wave attack in the surf zone at Ocean Beach, Fire Island, New York, including the severe winter storms that struck the Atlantic Seaboard in 1978.

PRODUCT FEATURES

- 4,000 psi air-entrained precast concrete
- Easily installed with a backhoe
- Minimal preparation needed
- Very durable, versatile and reusable
- Interlocking, permeable and vertically self-adjusting

TYPICAL STA-POD PROJECTS

- Jamaica Bay, NY* Slope Protection • Triborough Bridge and Tunnel Authority 100 units
- Phoenicia, NY* Bridge Abutment and Slope Protection • NYSDOT 150 units
- Hunter, NY* Slope Protection • NYSDOT 50 units
- Jamesville, NY* Energy Dissipator • NYSDOT 50 units
- Scranton, PA* Slope Protection • USDA-NRCS 65 units

THE FORT MILLER CO., INC.

A FORT MILLER GROUP COMPANY

P.O. Box 98
Schuylerville, NY 12871
Tel (518) 695-5000
FAX (518) 695-4970

E-mail
info@fortmiller.com

Web
www.fortmiller.com

PERCAST CONCRETE SOLUTIONS

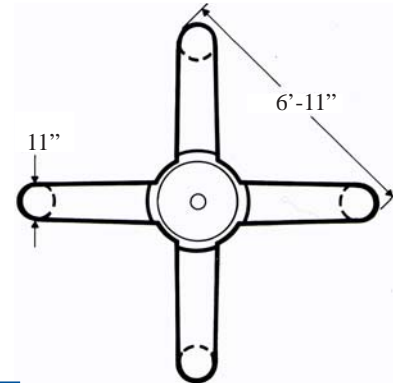


YOUR IMAGINATION IS OUR ONLY LIMITATION

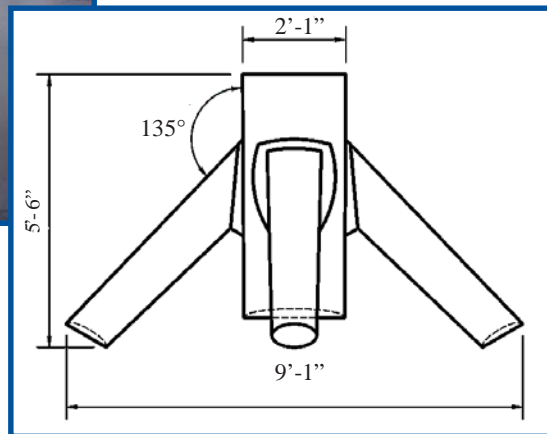
STA-POD™: THE PROVEN SOLUTION TO SCOUR AND EROSION CONTROL.



LEFT: Sta-Pod™ lines the riverbank, providing a stable toe for the rocky slope.



ABOVE: Plan view of Sta-Pod™, weight 2 U.S. tons.



RIGHT: Elevation view of Sta-Pod™.

RIGHT: Installing Sta-Pod™: the bottom legs interlock to securely protect the area from scour.

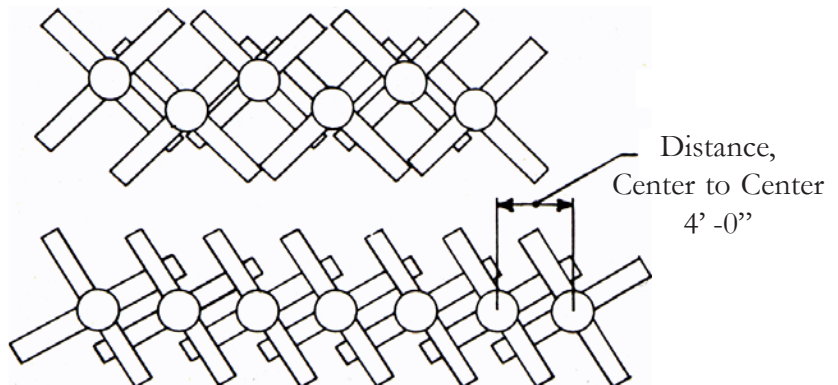


**THE
FORT MILLER
CO., INC.**
A FORT MILLER GROUP COMPANY

P.O. Box 98
Schuylerville, NY 12871
Tel (518) 695-5000
FAX (518) 695-4970

E-mail
info@fortmiller.com

Web
www.fortmiller.com



ABOVE: Basic arrangement of Sta-Pod™ installation.

PRECAST CONCRETE SOLUTIONS

